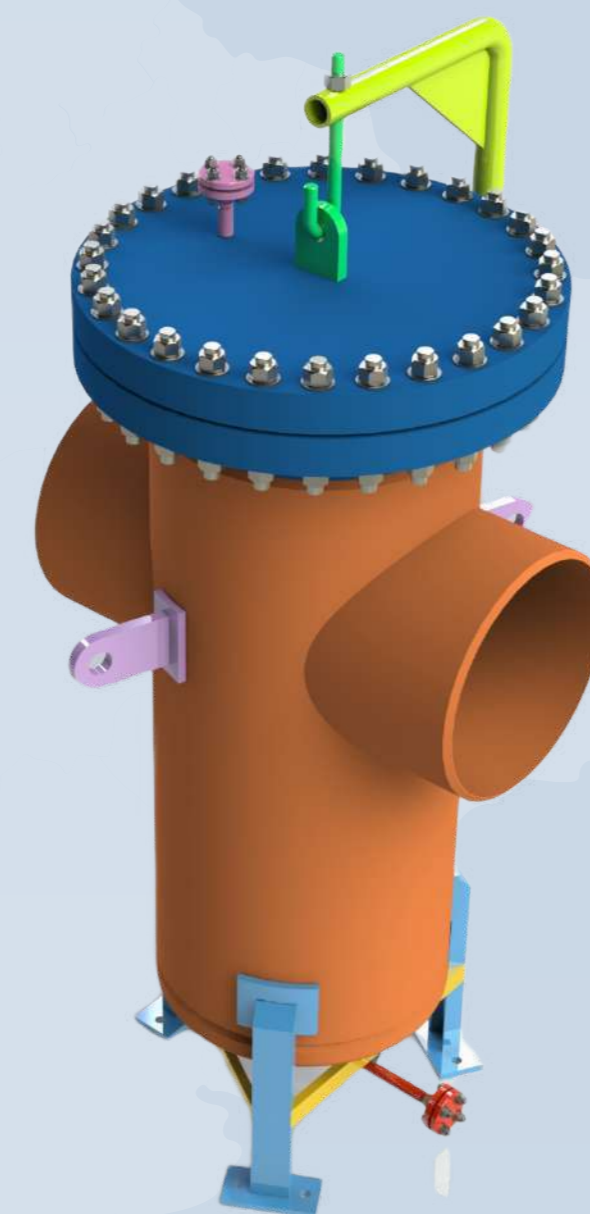
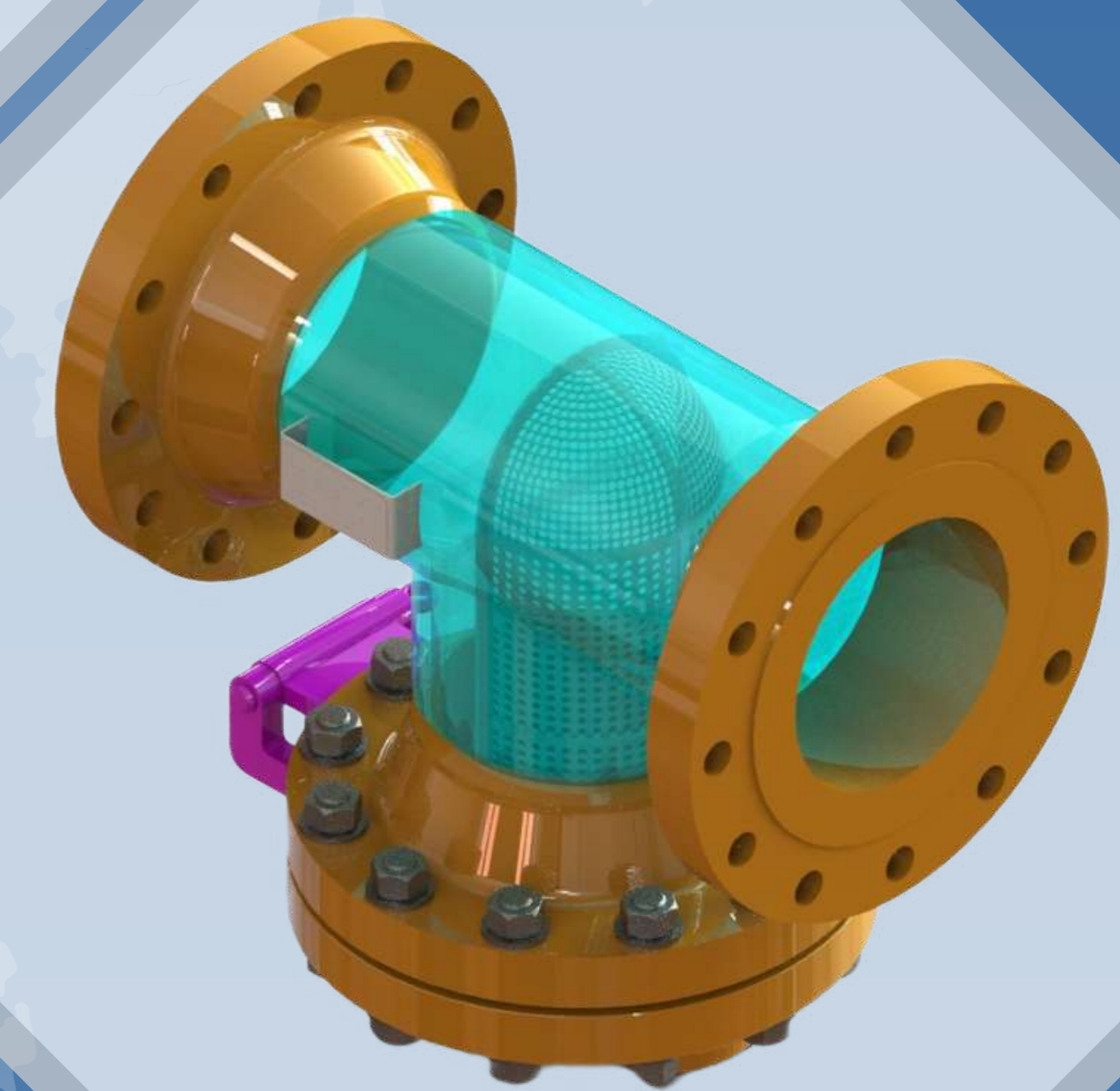
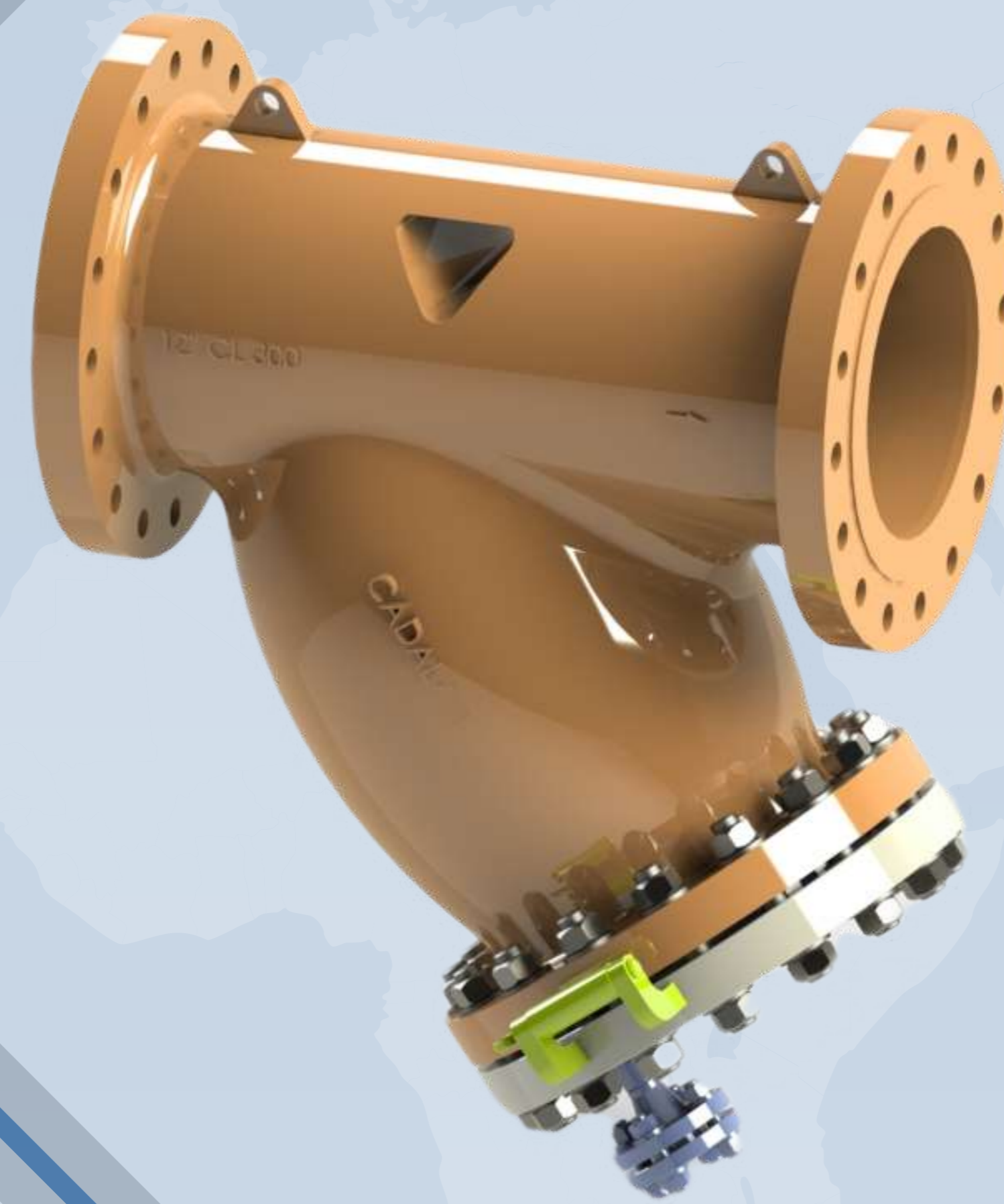
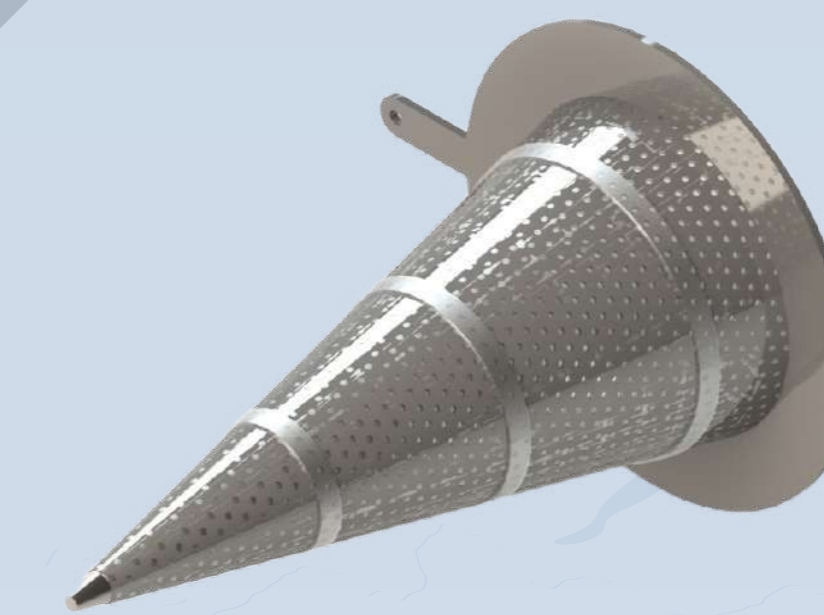
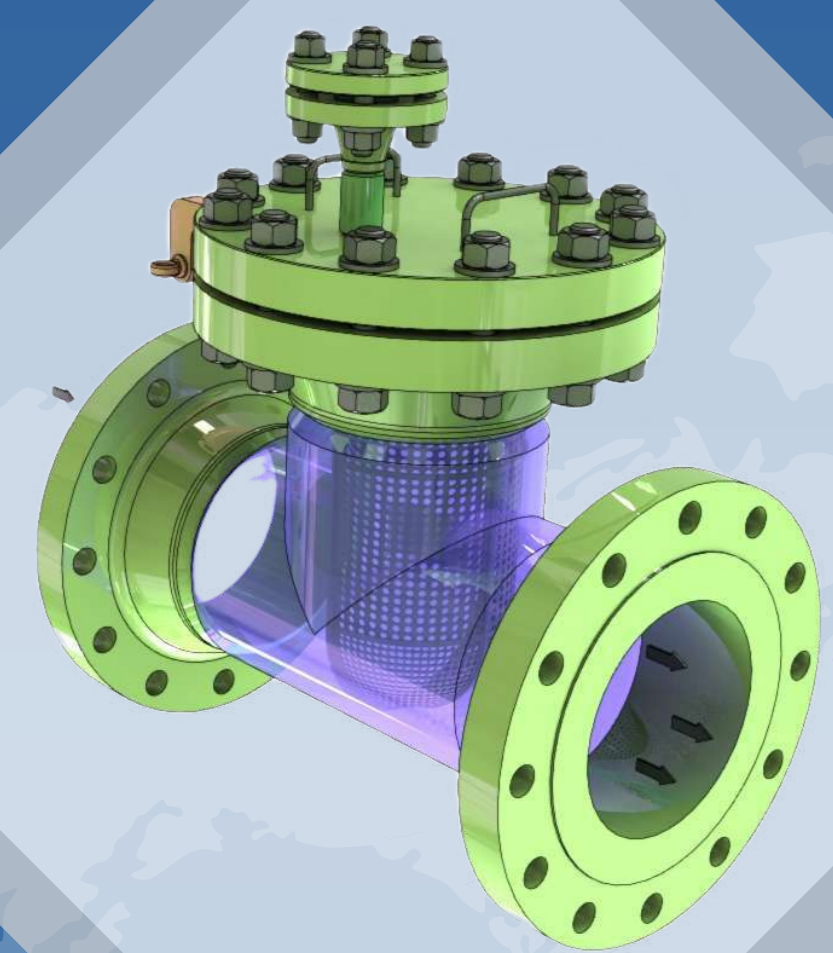




Cadalan Offshore and Marine Pte Ltd.



About Us

We at Cadalan, would like to introduce ourselves as manufacturers and suppliers of Offshore and Marine Piping Components and Solutions. We are a Singapore Based Company having headquarters in Singapore and manufacturing facilities in India. Our Humble Beginnings were in the year 2014, when we started as a small team of engineers with vast overseas industrial knowledge and technical expertise. We at Cadalan, offer you solutions and products with exceptional quality and our major goal is to ensure our products and services have the maximum productivity. We adhere to all international standards and we use all latest technical tools available to ensure customer satisfaction. Our Company has grown substantially very well in the last few years with clients throughout the world and our customer base is expanding very well and all our products are functioning very well throughout the world.

What we do?

We at Cadalan, design, manufacture and supply piping inline components and we are specialized in Industrial Strainers like Y Strainer, Tee Strainer, Basket Strainer and Conical Temporary Strainers. We also manufacture high pressure fittings, check valves and other piping components. Our Products are being used in major global offshore and marine companies. We also offer design related services like offshore structural design, 3D Modelling, Spool Drawings and Pressure Vessel Design with the best technical detail.



CADALAN Y TYPE STRAINERS

Y Strainers remove a large number of debris from the pipelines. At Cadalan, we offer Quick Delivery of Fabricated Y Strainers and Large Free Flow Areas in Casting Strainers.

- Size: 1' – 48 inches
- Types: Fabricated and Casting
- Connection: Flanged & Butt Welded
- Installation: Horizontal tilting possible to a certain angle
- Class: #150, # 300 , # 400 , # 600, # 900, # 1500, # 2500

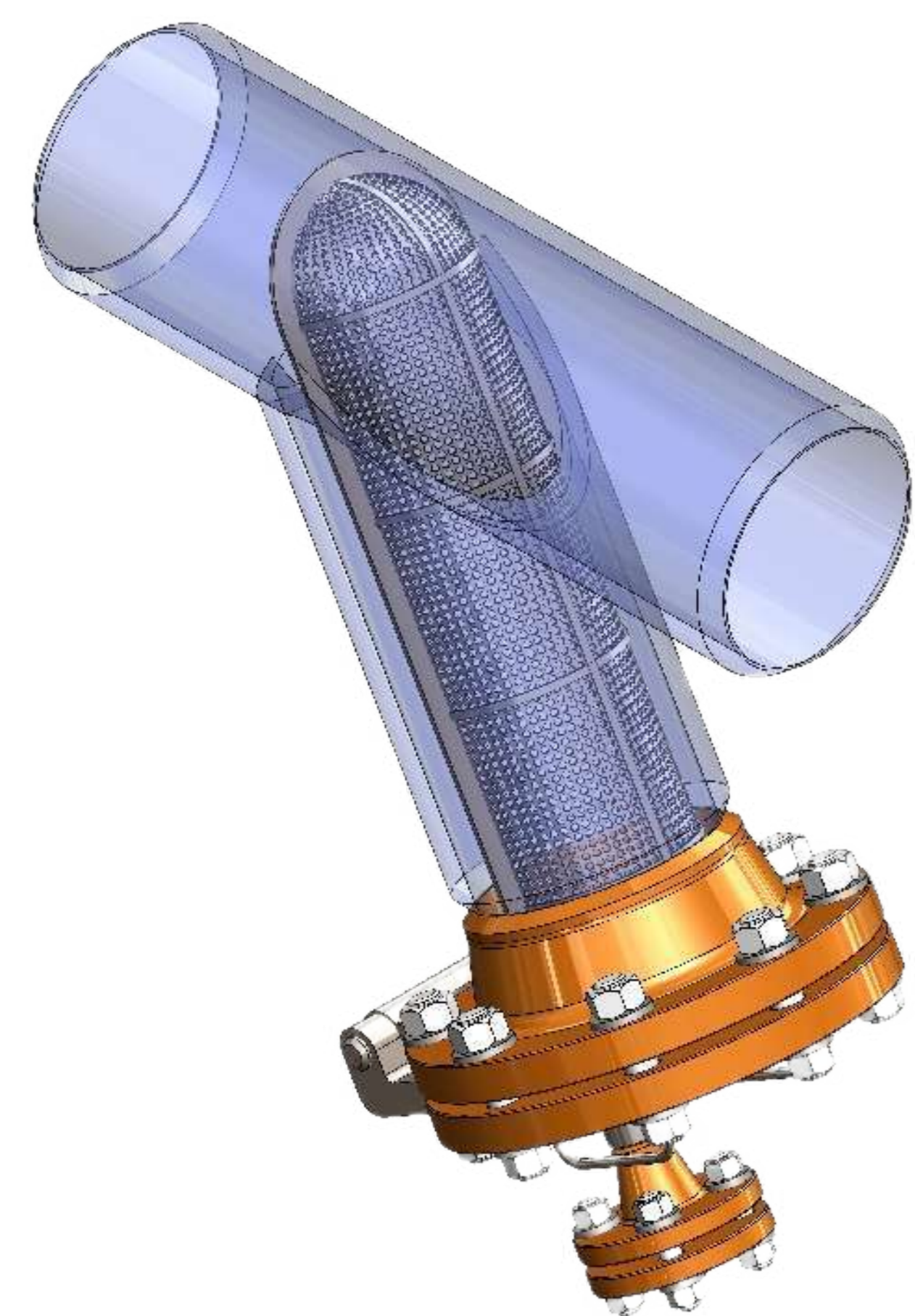
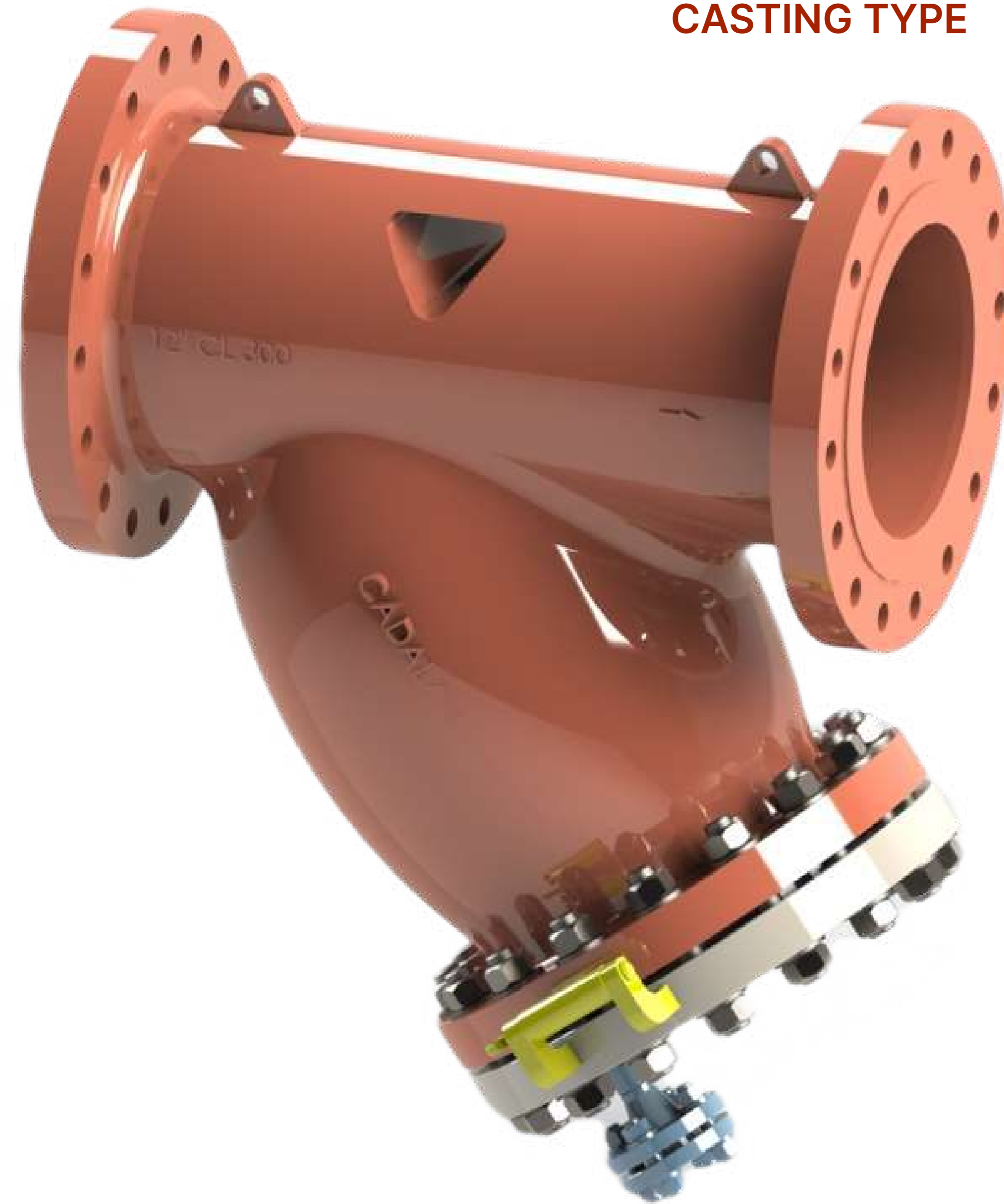
Construction Material (Casting Type)

- Carbon Steel -A216 WCB/ WCC
- Low Temperature Carbon Steel – LF2
- Stainless Steel – CF8| CF8M| CF3 | CF3M
- Duplex Stainless Steel- A995 GR.4A
- Super Duplex Stainless Steel -A995 GR.5A
- Nickel Aluminium Bronze Alloy -ASTM B148 C95800
- MONEL – K400 / K500
- Materials comply with NACE MR01-75 and NORSOK requirements

Construction Material (Fabricated Type)

- Carbon Steel -ASTM A106 GR B/C , API 5L X65, A333 GR 6 , ASTM A671
- Stainless Steel – ASTM A312 TP316/316L , ASTM A358 TP316/316L
- Duplex Stainless Steel- ASTM A928 S31803 , ASTM A790 S31803
- Super Duplex Stainless Steel – ASTM A928 S32750/32760 , ASTM A790 S32750/32760
- Nickel Aluminium Bronze Alloy -ASTM B148 C95800
- MONEL – ASTM B165 K400/k500 (UNS N05400 /UNS N04400)
- Titanium grade 2 & 5 – ASTM B337 GR 2 / GR 5

CASTING TYPE



BUTT WELDED TYPE



FABRICATED TYPE



CADALAN TEE TYPE STRAINERS

The strainer is very compact, important in applications where space is restricted. Unlike most other strainers, Tee Strainer can be used in both vertical and horizontal installations. A real time saving feature Tee Strainer is that the strainer screen can be cleaned without draining the strainer vessel.

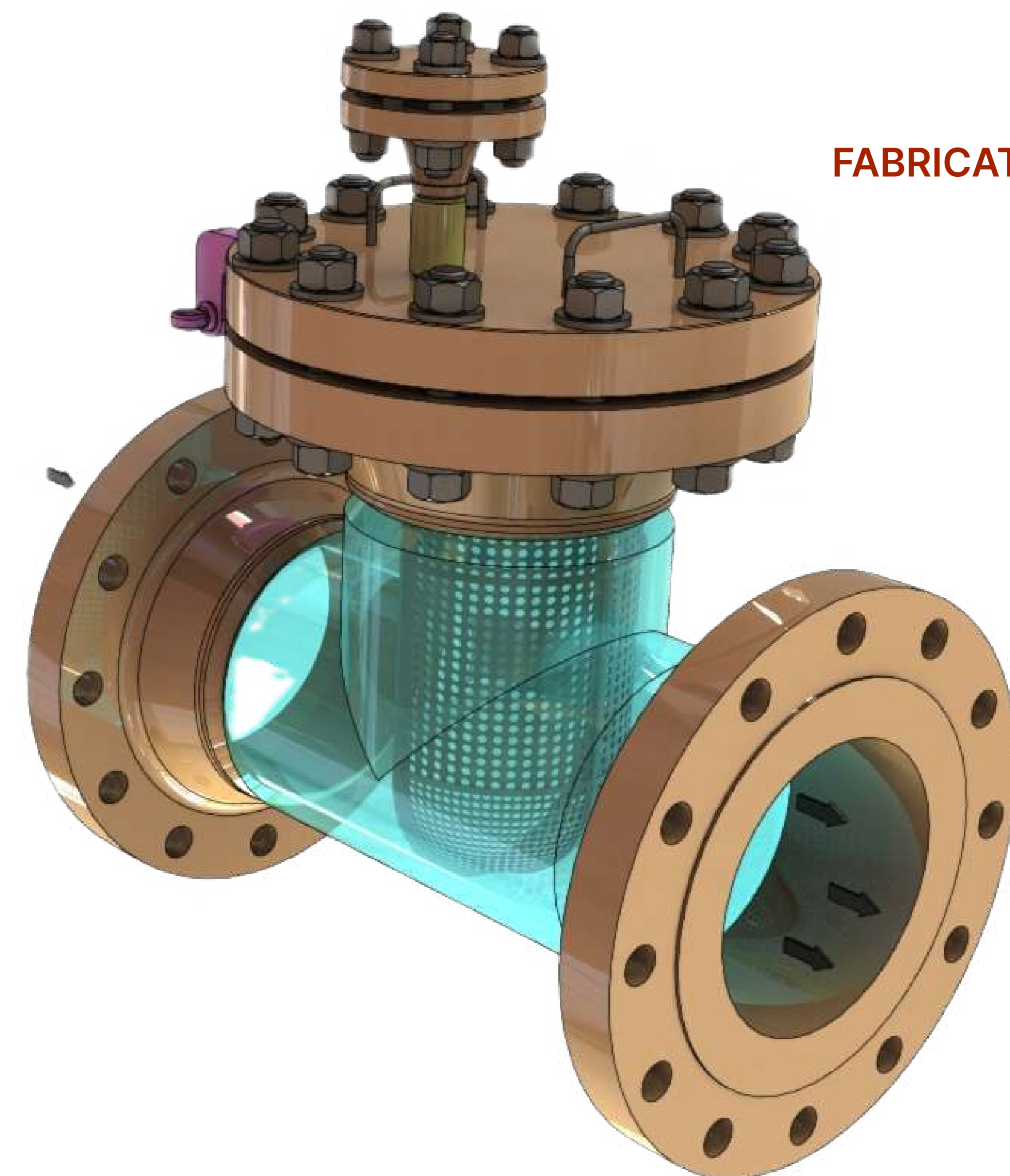
- Size: 1' – 48 inches
- Types: Fabricated and Casting
- Connection: Flanged & Butt Welded
- Class: #150, # 300 , # 400 , # 600, # 900, # 1500, # 2500

Construction Material (Casting Type)

- Carbon Steel -A216 WCB/ WCC
- Low Temperature Carbon Steel – LF2
- Stainless Steel – CF8| CF8M| CF3 | CF3M
- Duplex Stainless Steel- A995 GR.4A
- Super Duplex Stainless Steel -A995 GR.5A
- Nickel Aluminium Bronze Alloy -ASTM B148 C95800
- MONEL – K400 / K500
- Materials comply with NACE MR01-75 and NORSOK requirements

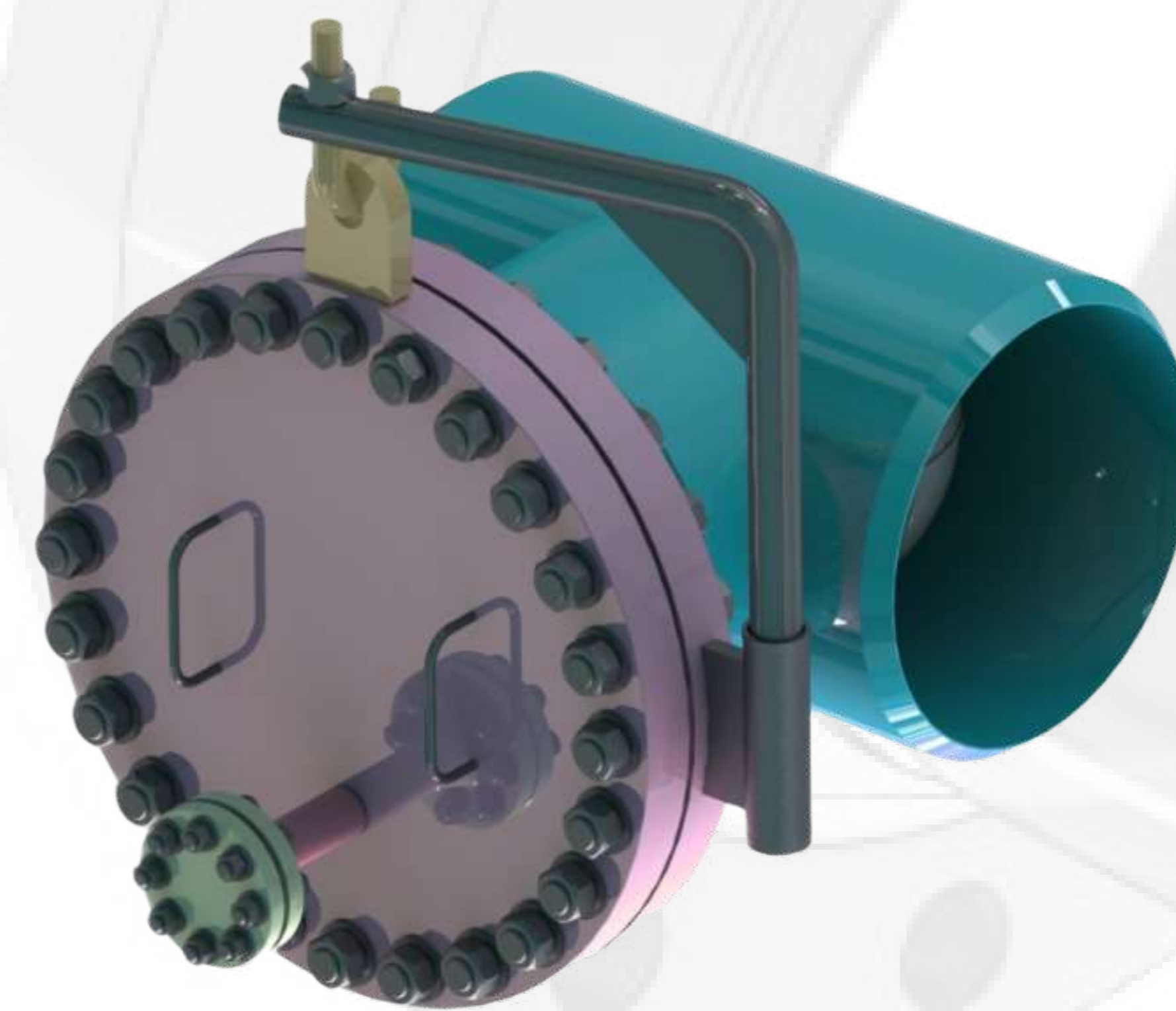
Construction Material (Fabricated Type)

- Carbon Steel -A234 GR WPB/WPC , ASTM 420 Gr WPL6 , ASTM A860 WPHY65
- Stainless Steel – ASTM A403 WP316//316L , ASTM A815 S31803 / S32750 /S32760 .
- Duplex Stainless Steel- ASTM A815 S31803
- Super Duplex Stainless Steel – ASTM A815 S32750 /S32760
- Nickel Aluminium Bronze Alloy -ASTM B148 C95800
- MONEL k400/k500 – ASTM B366 UNS N04400 /UNS N05500
- Titanium grade 2 & 5 – ASTM B363 GR 2 / GR 5



FABRICATED TYPE

CASTING TYPE



BUTT WELDED TYPE



CADALAN BASKET TYPE STRAINERS

At Cadalan, we offer Basket Type Strainers in different configurations. Basket Type strainers can remove a large amount of dirt when compared to the conventional strainers. In Process Industries where a large amount of suspended solids are to be removed, Basket Type Strainers are the ideal strainer considered.

We manufacture two types of Basket Type Strainers:

- Duplex Basket Strainers (Three way Valve)
- Simplex Basket Strainers with quick release cover type
- Size: 1' – 48 inches
- Types: Fabricated and Casting
- Connection: Flanged & Butt Welded
- Class: #150, # 300 , # 400 , # 600, # 900, # 1500, # 2500

Construction Material (Casting Type)

- Carbon Steel – A216 WCB/ WCC
- Low Temperature Carbon Steel – LF2
- Stainless Steel – CF8| CF8M| CF3 | CF3M
- Duplex Stainless Steel- A995 GR.4A
- Super Duplex Stainless Steel – A995 GR.5A
- Nickel Aluminium Bronze Alloy – ASTM B148 C95800
- MONEL – K400 / K500
- Materials comply with NACE MR01-75 and NORSOK requirements

Construction Material (Fabricated Type)

- Carbon Steel – ASTM A106 GR B/C , API 5L X65, A333 GR 6 , ASTM A671
- Stainless Steel – ASTM A312 TP316/316L , ASTM A358 TP316/316L
- Duplex Stainless Steel- ASTM A928 S31803 , ASTM A790 S31803
- Super Duplex Stainless Steel – ASTM A928 S32750/32760 , ASTM A790 S32750/32760
- Nickel Aluminium Bronze Alloy – ASTM B148 C95800
- MONEL – ASTM B165 K400/k500 (UNS N05400 /UNS N04400)
- Titanium grade 2 & 5 – ASTM B337 GR 2 / GR 5

BUTT WELDED TYPE



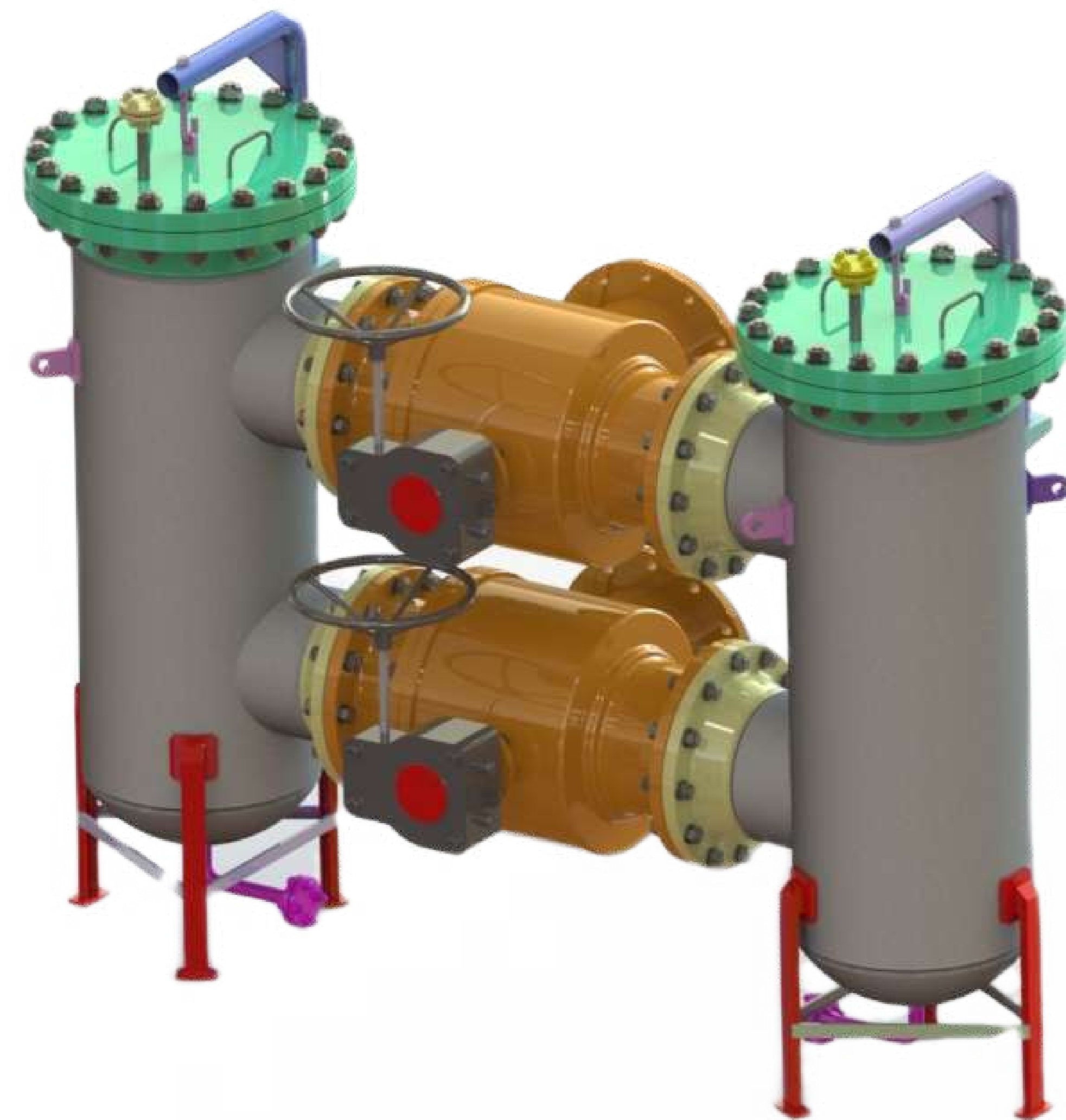
CASTING TYPE



FABRICATED TYPE



CADALAN DUPLEX BASKET STRAINERS



FABRICATED TYPE



CASTING TYPE

At Cadalan we manufacture and supply Duplex Basket Strainers with highest quality and standards. Duplex Basket Strainers are designed for applications where continuous flow must be maintained while cleaning filter baskets.

The strainer uses integral 3 way stainless steel ball valves with PTFE seals. This design provides drop tight shutoff eliminating costly and potentially dangerous leakage into the chamber not in use which can occur in some other duplex strainer designs. This also eliminates some problems which can occur in particular suction conditions where in other designs air ingress could occur. All parts of the valve mechanism are accessible after removing the basket chamber without taking the strainer out of the pipeline.

- Size: Upto 24 inches
- Class: #150 up to #2500

Construction Material (Casting Type)

- Carbon Steel - A216 WCB/ CF8/CF8M - ASTM A106 B
- Low Temperature Carbon Steel - A352 GR.LCC/CF3M
- Stainless Steel - SS316/ SS304
- Duplex Stainless Steel - A995 GR.4A
- Duplex Stainless Steel - A995 GR.5A
- Nickel Aluminium Bronze Alloy - ASTM B148 C95800/ UNSN0662
- Monel - UNSN04400 / UNSN05500
- Inconel - UNS NO6625 & Titanium

Construction Material (Fabricated Type)

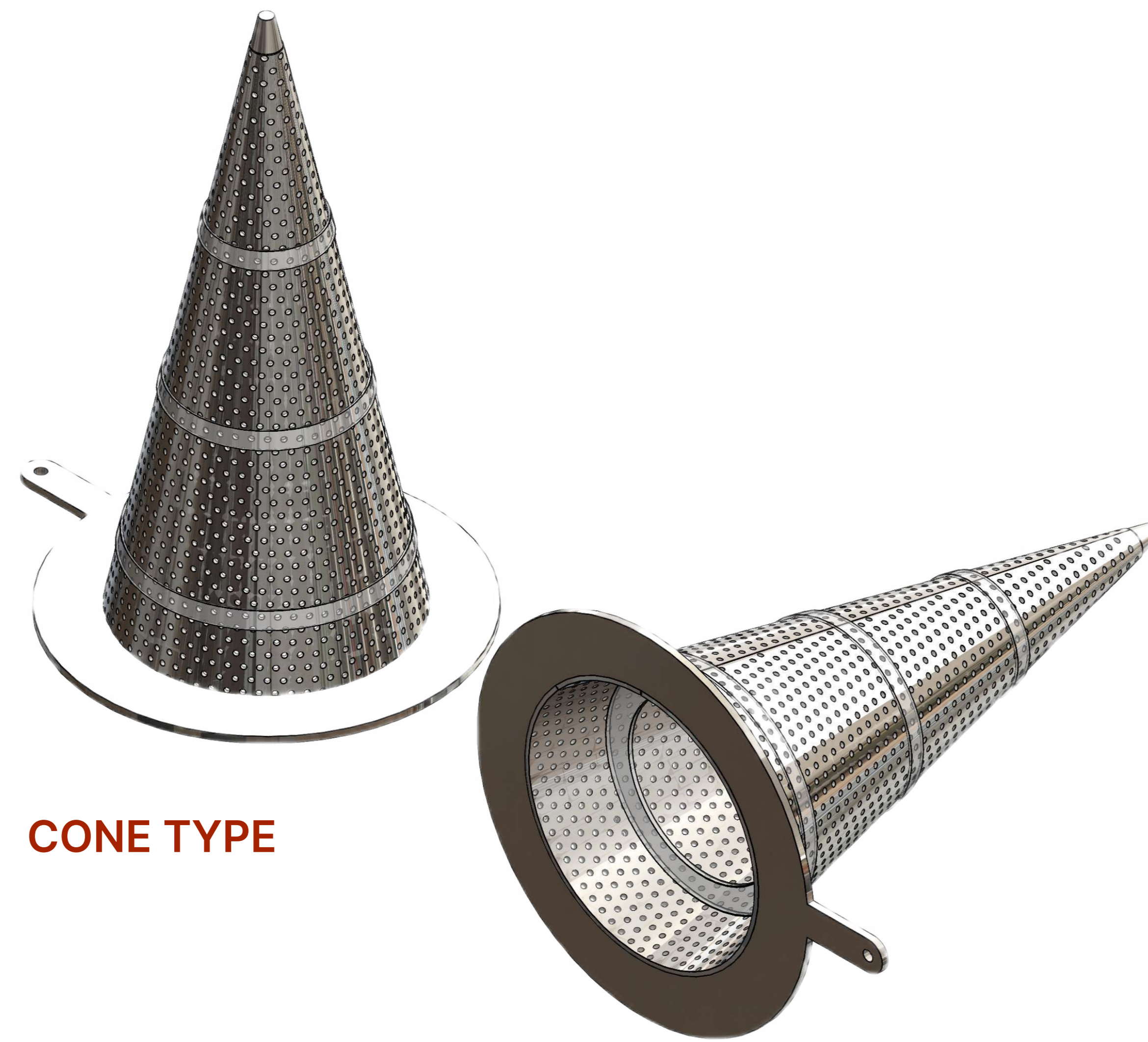
- Carbon Steel - ASTM A106 GR B/C , API 5L X65, A333 GR 6 , ASTM A671
- Stainless Steel - ASTM A312 TP316/316L , ASTM A358 TP316/316L
- Duplex Stainless Steel- ASTM A928 S31803 , ASTM A790 S31803
- Super Duplex Stainless Steel - ASTM A928 S32750/32760 , ASTM A790 S32750/32760
- Nickel Aluminium Bronze Alloy - ASTM B148 C95800
- MONEL - ASTM B165 K400/k500 (UNS N05400 /UNS N04400)
- Titanium grade 2 & 5 - ASTM B337 GR 2 / GR 5



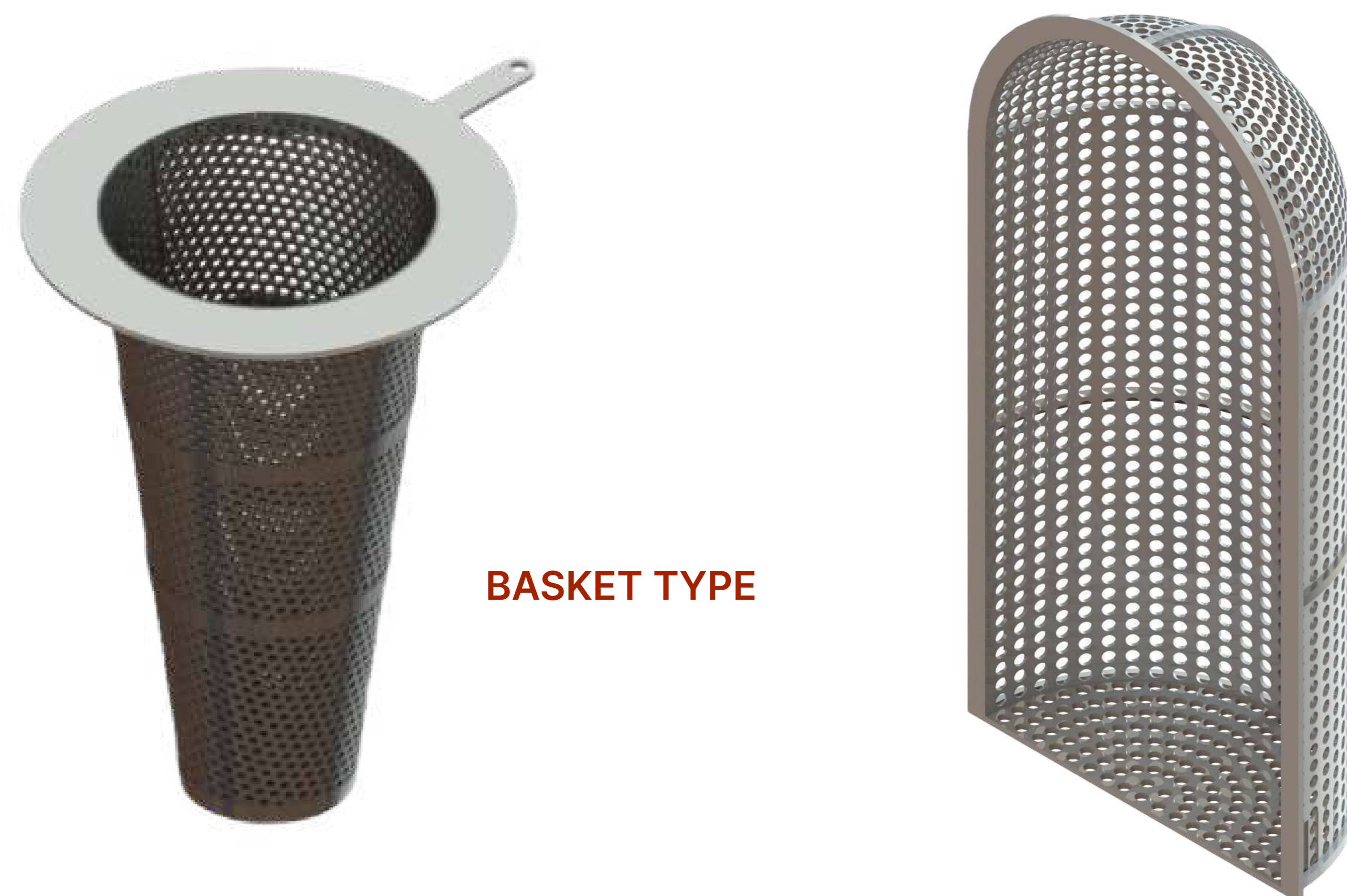
CADALAN CONICAL TYPE STRAINERS

Conical Strainers are known as Temporary Strainers, and these Conical Filter Strainers are used for the filtration of the system. We are suppliers of Cone type temporary strainers in fully various designs. The Conical Temporary Strainers are mostly used for Commissioning purposes by new plants.

Conical Strainers are very cost-effective straining solutions in many applications. Where the amount of material to be removed from the flow is relatively small, resulting in long intervals between screen cleanings, the strainer screen is manually cleaned by shutting down the line and removing the strainer cap.



CONE TYPE



BASKET TYPE

BOAT TYPE

Conical Strainers are of three types:

- Cone Type
- Bucket Type
- Boat Type
- Size: Upto 48 inches
- Class: #150, # 300, # 400, # 600, # 900, # 1500, # 2500

Construction Material

- Duplex Stainless Steel : UNS31803
- Super Duplex Stainless Steel : UNS32750/ UNS32760
- Alloy 625 : UNSN06625
- Monel : K400/ K500
- Titanium Gr 2 / Gr.5



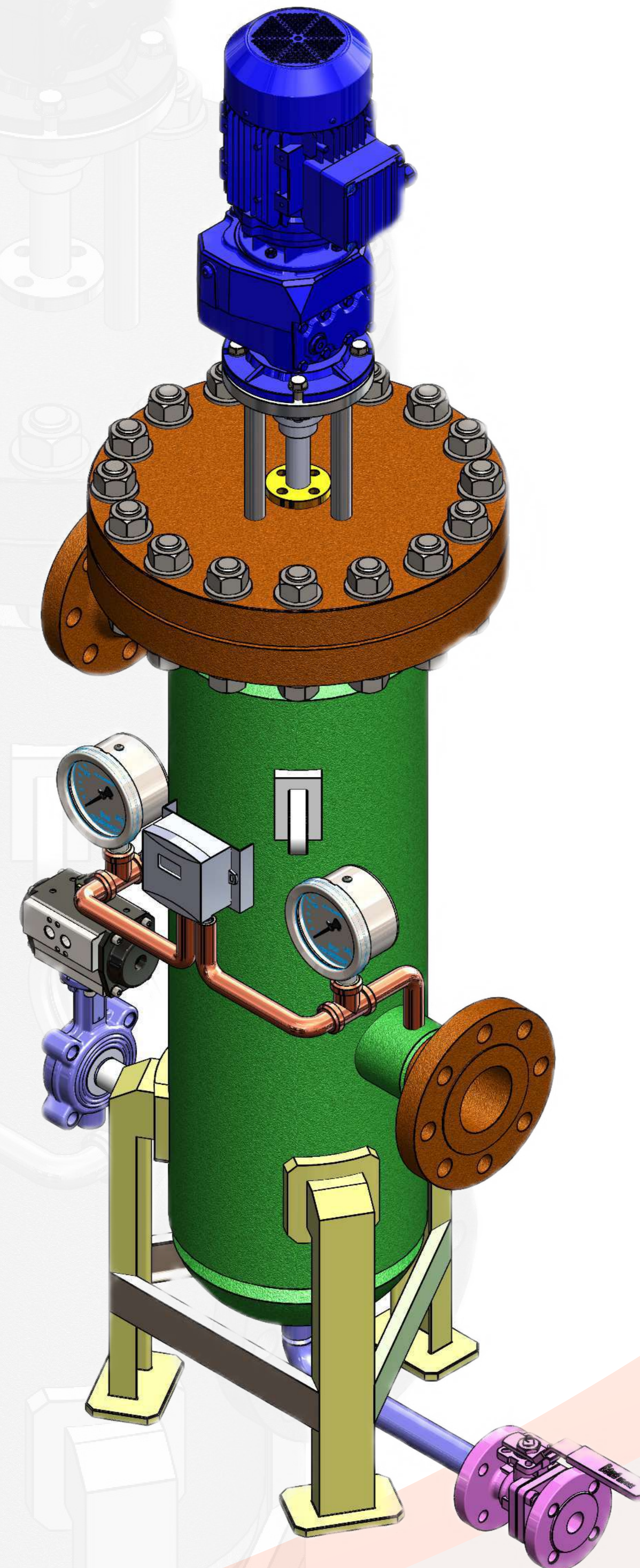
CADALAN SELF CLEANING BASKET STRAINERS

Self-cleaning strainers are a motorised strainer that is used to continually remove contaminants and debris from an industrial pipe system. The flow of liquid enters the strainer at the bottom and works its way upwards through the strainer and then out. Any unwanted debris is caught inside the strainer and pushed to the bottom. When the differential pressure reaches a set point the flush valve at the bottom opens and removes the contaminants.

- Size: Depending upon the customer requirements
- Types: Fabricated and Casting
- Connection: Flanged & Butt Welded

Construction Material (Fabricated Type)

- Carbon Steel - ASTM A106 GR B/C , API 5L X65, A333 GR 6 , ASTM A671
- Stainless Steel - ASTM A312 TP316/316L , ASTM A358 TP316/316L
- Duplex Stainless Steel- ASTM A928 S31803 , ASTM A790 S31803
- Super Duplex Stainless Steel - ASTM A928 S32750/32760 , ASTM A790 S32750/32760
- Nickel Aluminium Bronze Alloy - ASTM B148 C95800
- MONEL - ASTM B165 K400/k500 (UNS N05400 /UNS N04400)
- Titanium grade 2 & 5 - ASTM B337 GR 2 / GR 5

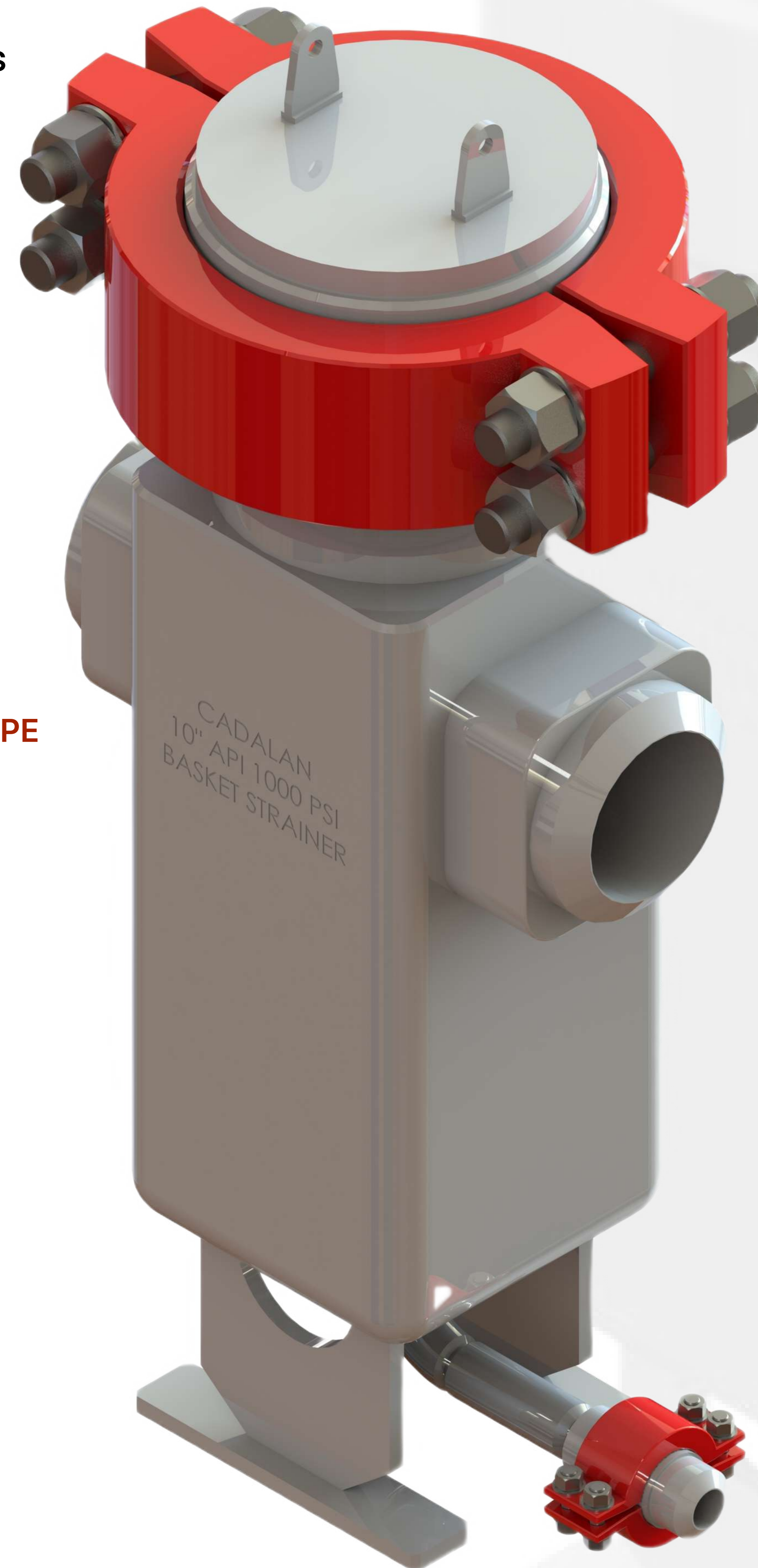


CADALAN HIGH PRESSURE STRAINERS

Construction Material

- Class Rating : 3000, 5000, 10000 API Standards
- Material : AISI 4130, ASTM A694 GR F65
- Clamp : API 16 C Standard
- Size : As Per Customer Requirements

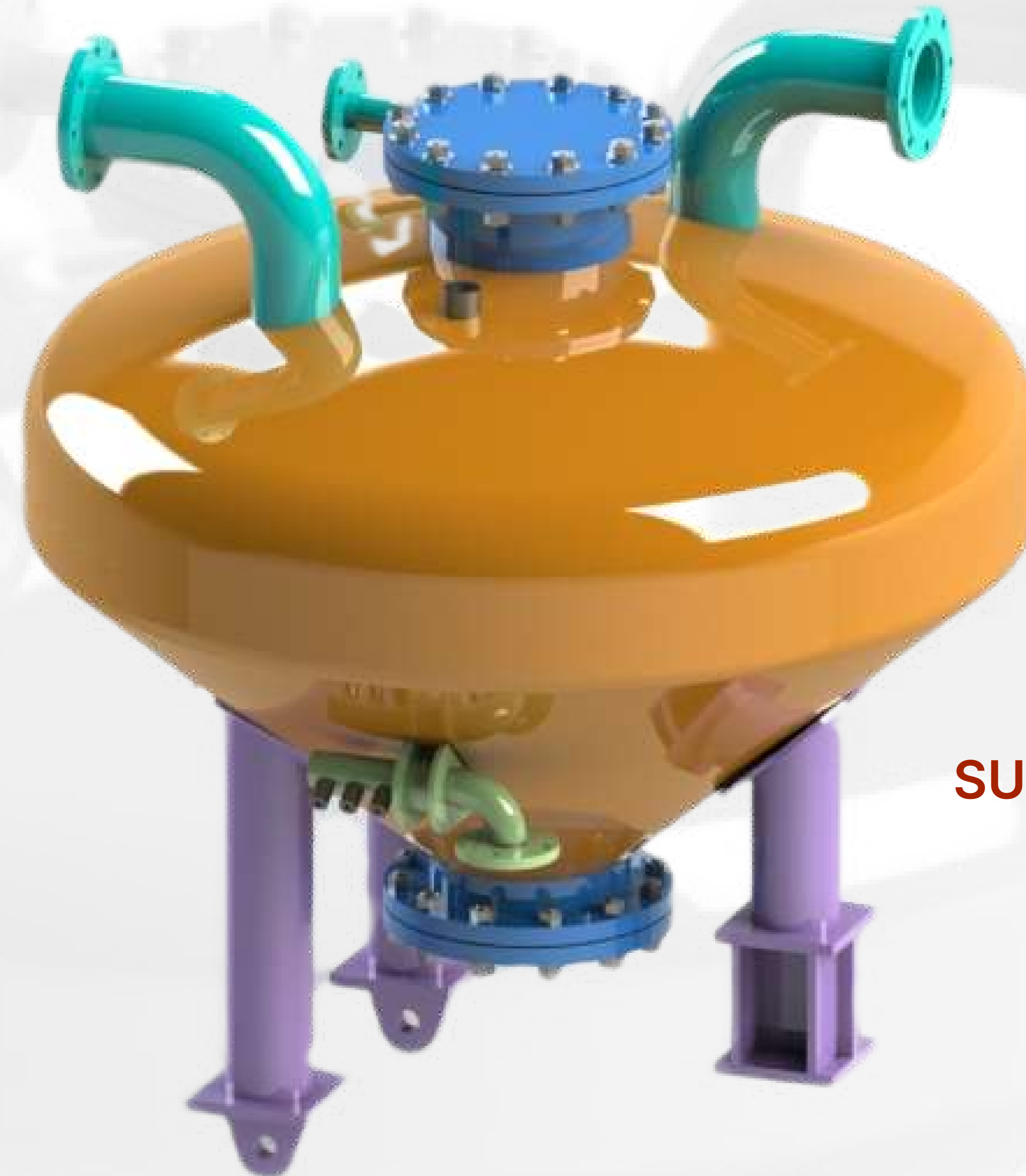
BASKET TYPE



Y TYPE



PRESSURE VESSELS



SURGE TANK

A pressure vessel is a closed leak-tight container (normally cylindrical or spherical) designed to hold fluids (i.e, gases or liquids) at a pressure substantially different (higher or lower) from the ambient pressure. They are usually made from carbon steel or stainless steel and assembled from plates by welding method. However, other materials like Aluminium, copper, non-metals, etc also find usage as pressure vessel material in some specific situations. Even though most pressure vessels are basically long cylinders with two heads at both ends, they can take the shape of a sphere or cone.

DUST COLLECTOR



DUST CYCLONE



PIPING SPECIALITY FITTINGS



HIGH PRESSURE CUSHION BLOCKS 90 DEGREE BELOW
CLASS RATING: 5000, 10000, 15000
MATERIAL : AISI 4130, ASTM A694 F65

HIGH PRESSURE CROSS CUSHION BLOCK ELBOW
CLASS RATING: 5000, 10000 UPTO 15K



HIGH POD CONDENSATE TANK



PIPING SPECIALITY FITTINGS

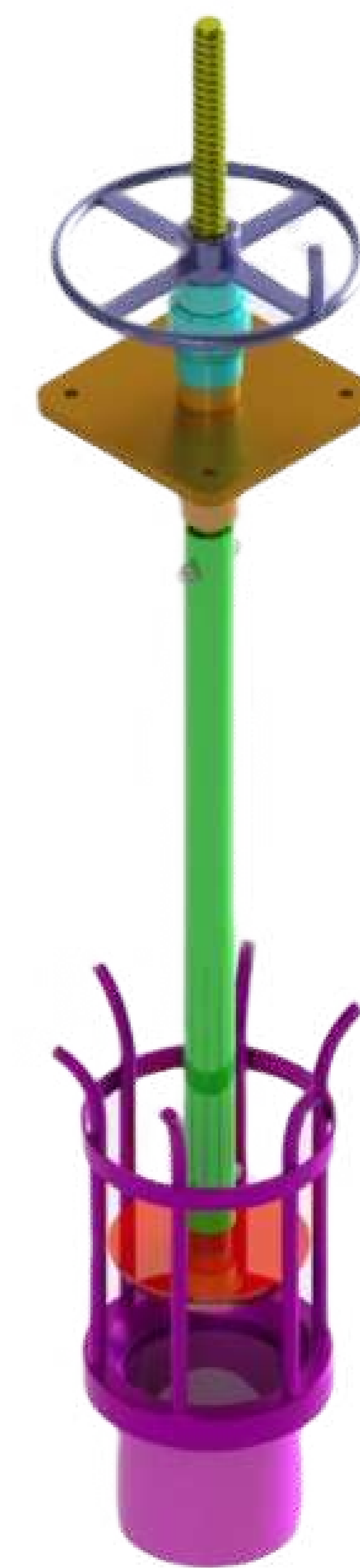


INTERNAL PTFE COATED SPOOL

EDUCTOR



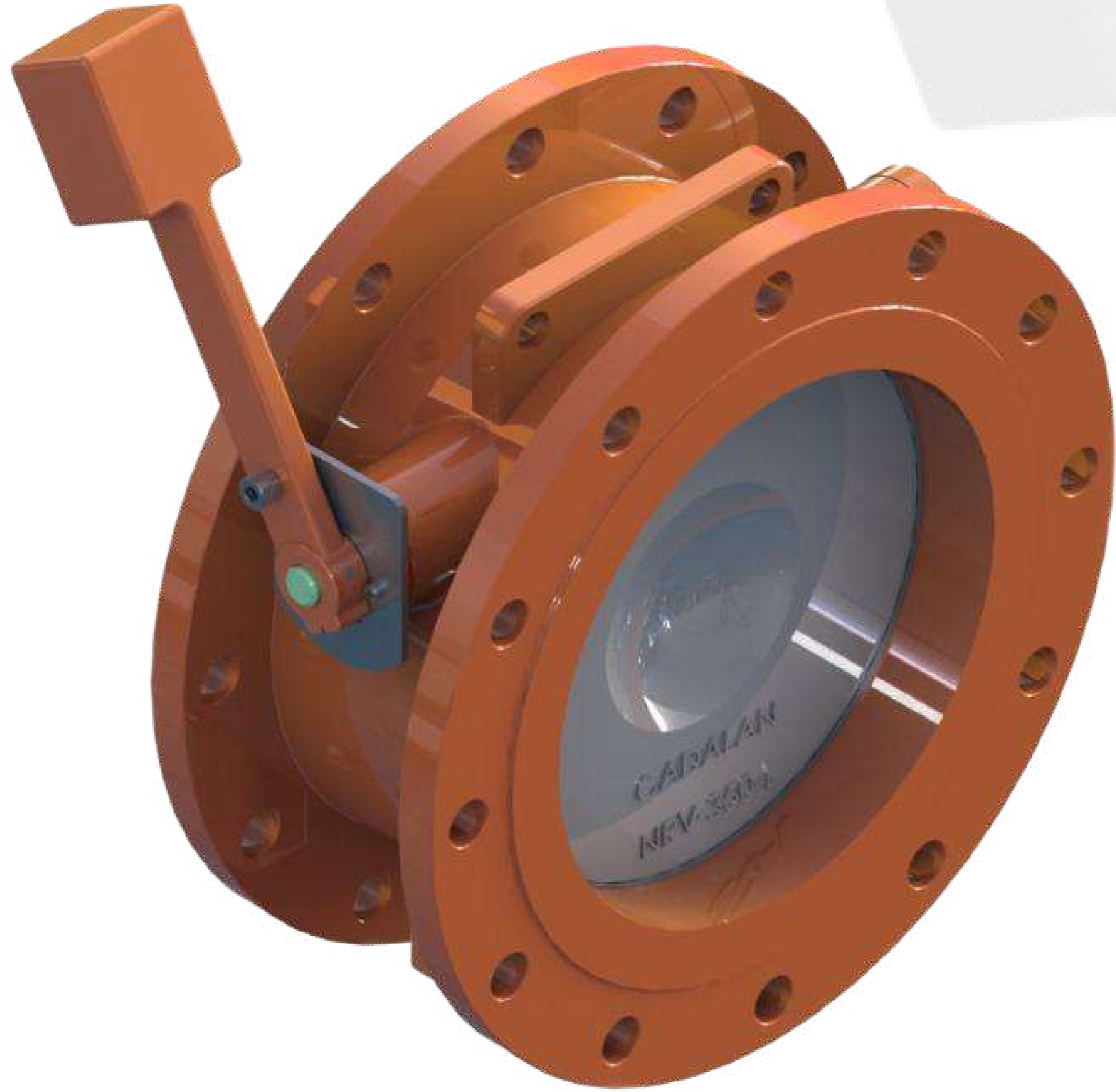
MUD DUMP VALVE
MATERIAL: SS316, CARBON STEEL



WELD OVERLAY FLANGES
(INCONEL 625 INLAY)
BASE MATERIAL : CARBON STEEL, HYCS, ALLOY STEEL
INLAY / OVERLAY : SS316/ INCONEL 625

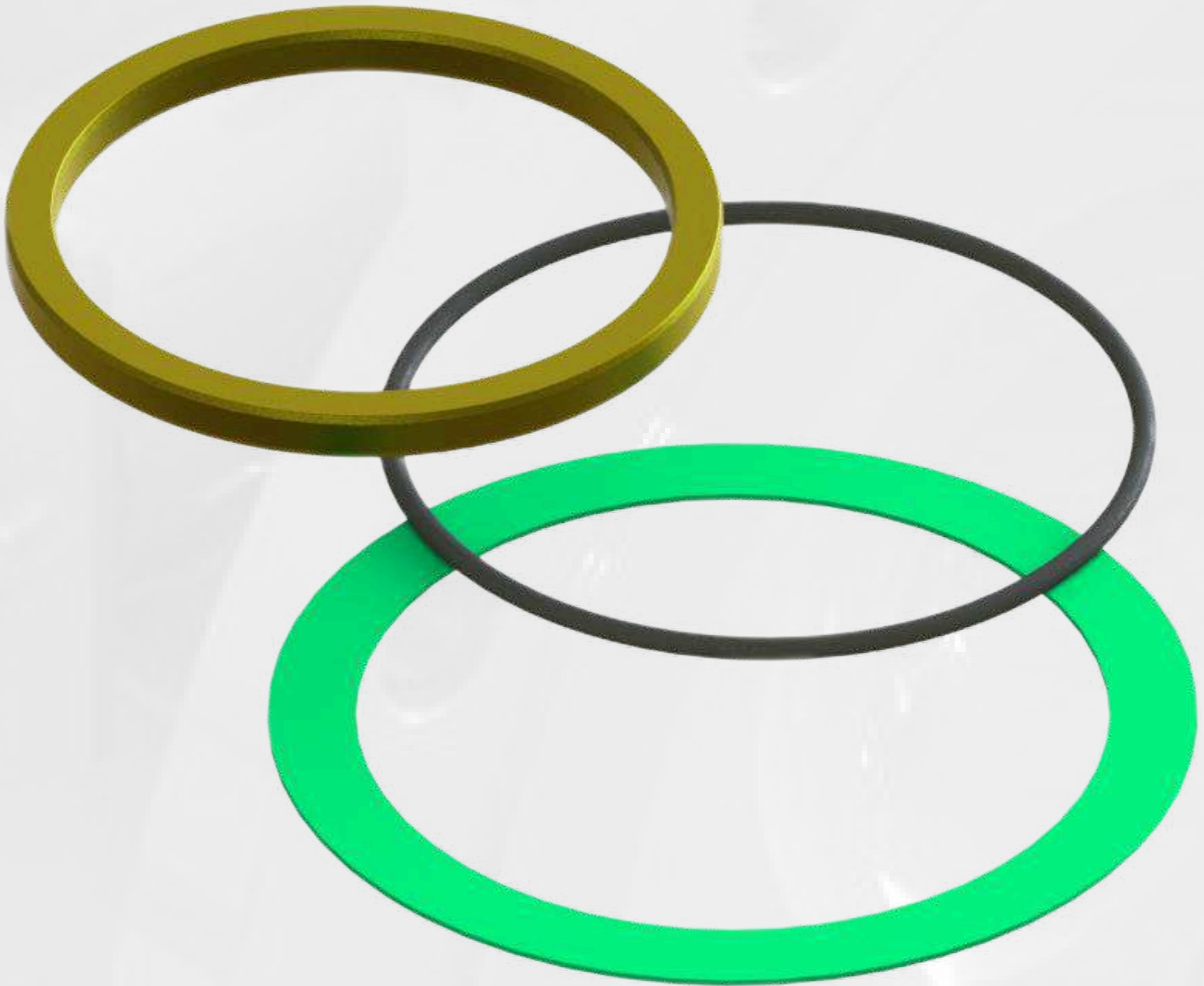
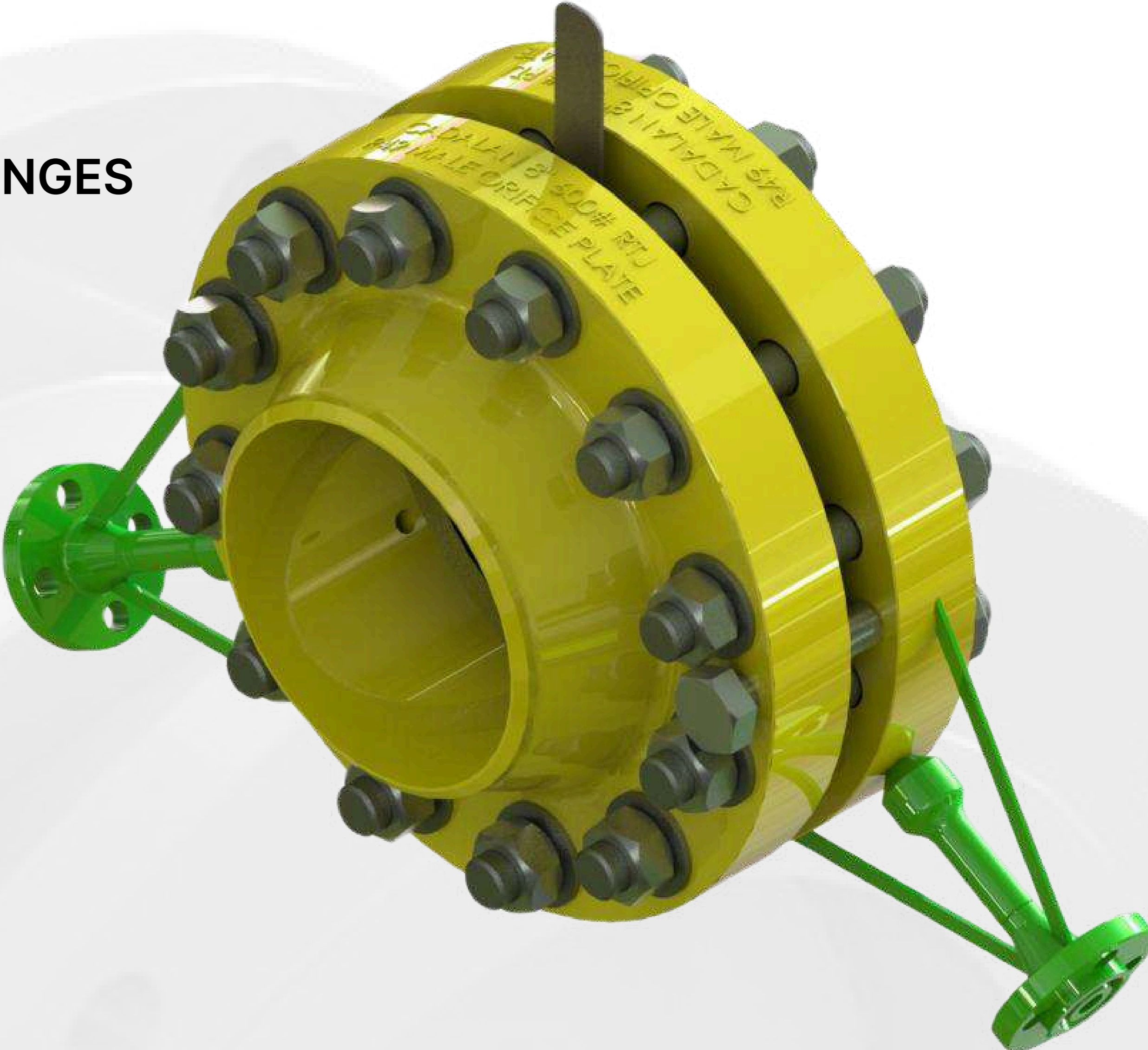


PIPING SPECIALITY FITTINGS



NON RETURN GAS VALVE
MATERIAL: WCB,CF8M,CF3M

ORIFICE FLANGES



SPIRAL WOUND GASKETS



Cadalan Offshore and Marine Pte Ltd.

Corporate Office:
60, Paya Lebar Road #05-08, Paya Lebar Square, Singapore - 409051.
Phone: +65 9369 4243 | Landline: +65 6262 6094 | Fax: +65 6262 6095
Email: sales@cadalan.com.sg | Website: www.cadalan.com.sg

Scan to know more about us

